

NU1513: High Performance Wireless Power Transmitter Controller

Feature

- Input Voltage: 3.3V to 5.5V
- Integrated ARM® Cortex®-M0
- Compliant with WPC EPP
- PWM Output 100~148KHz
- Output to Control External DCDC Output
- Reliable and Accurate Foreign Object Detection (FOD)
- LED for Charging Status and Fault Reporting
- Built-in Frequency Shift Keying Modulate(FSK)
- Built-in Fast Charge Protocol
- Input Low Voltage Detection
- Limited Power to Prevent Overloading Input Sources
- Over-current Protection and Over- temperature Protection with NTC Input
- Internal Oscillator or External Crystal Oscillator
- Interface with NU1020 to Form High Performance maximum 30W Transmitter Solution
- 28 Pin 4mm x4mm QFN Package

Applications

- Wireless Power Transmitter Compliant with WPC EPP
- Fast Wireless Charger for 30W Received Power
- Embedded Wireless Power Transmitter for Smart Home

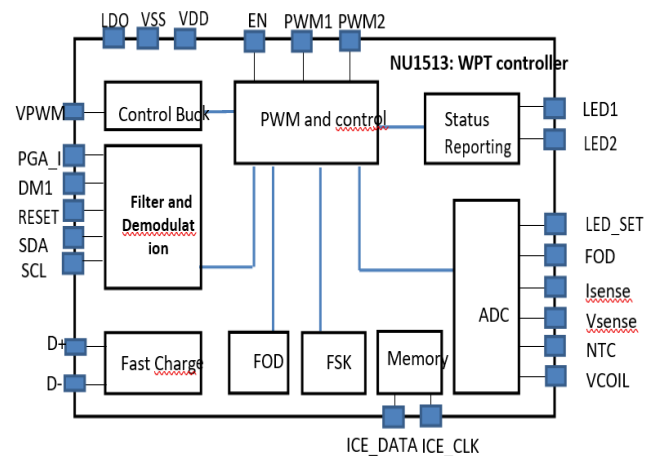
Descriptions

NU1513 is a highly integrated digital controller for wireless power transmitter compliant with WPC EPP standard. This device and NU1020, the companion power stage ICs, form simple, high-performance and cost-effective wireless power transmitter solutions suitable for a wide range of applications.

NU1513 integrates all essential functions to deliver regulated power and maintain robust communications with WPC compliant receivers. Used with NU1020, the smallest and most integrated power stage IC, the two-chip turnkey design provides the most space saving solutions.

NU1513 also emphasizes on providing reliable and robust charging experience by preventing any transient conditions, such as receiver load variations and Rx/Tx coupling changes, from disrupting communications and continuous charging. The device adopts a proven foreign object detection (FOD) scheme to detect metal objects and prevent harmful heating. The device also integrates the protection features such as over- temperature and over-current protections, input low-voltage detection and input power limit

Block Diagram



IMPORTANT NOTICE AND DISCLAIMER

Any information in this document is prohibited from being used, reproduced or disseminated, modified, translated to any third party in any form and/or through any means without the prior written consent of NuVolta. ALL RIGHTS RESERVED

Disclaimer

Information in this document is for your reference only and is subject to change without notice. It is your responsibility to ensure its application complies with technical specifications.

NuVolta Technologies Inc (hereafter referred to as "NuVolta") makes no representation or guarantee for this information, express or implied, oral or written, statutory or otherwise, including but not limited to representation or guarantee for its application, quality, performance, merchantability or fitness for a particular purpose. NuVolta shall assume no responsibility for this information and relevant consequences arising out of the use of such information.

Under the protection of NuVolta intellectual property rights, no license may be transferred implicitly or by any other means.

Trademarks

NuVolta and NuVolta logo are trademarks of NuVolta Technologies Inc. All trademarks and registered trademarks are the property of their respective owners.